

PERCUSSION

D10 **Cardioid Dynamic Kick Drum Microphone**

Applications:

Kick drum
Floor toms
Guitar cabinets
Bass cabinets



Description

The D10 is a cardioid, moving-coil dynamic microphone specifically designed and carefully equalized for kick drum capture and reinforcement. Special attention has been given to enhancing "thump", "crack" and "click" while reducing "boxiness". Although designed for kick drum, excellent results are also obtained when used on floor toms, electric guitar and electric bass cabinets. The die-cast metal body and hardened protective steel screen provide rugged durability. Integrated swivel mount is included.



CAD Audio
6573 Cochran Rd., Bldg. I Solon, OH 44139 U.S.A.
Sales: 800-762-9266 www.cadaudio.com

D10

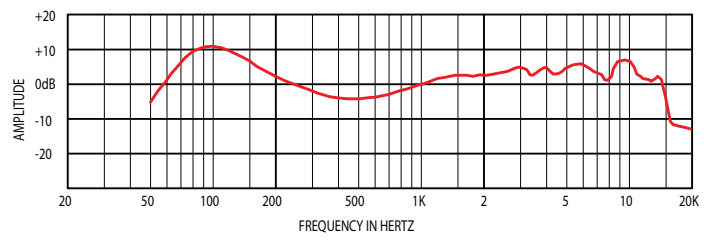
Cardioid Dynamic Kick Drum Microphone

Specifications†

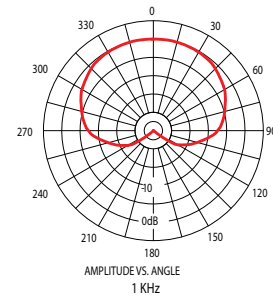
Operating Principle..... Moving-coil dynamic
Polar Pattern..... Cardioid
Frequency Response..... 50Hz -16KHz
Sensitivity.....-67dBV (0.45mV) @ 1 Pa
Impedance..... 60 ohms
Dimensions.....(see drawing)
Weight..... 12.75oz [0.36Kg]
RF Immunity..... Meets or exceeds
EN55103-2, E1-E4
RoHS..... Compliant

†Specifications subject to change without notice.

Frequency Response

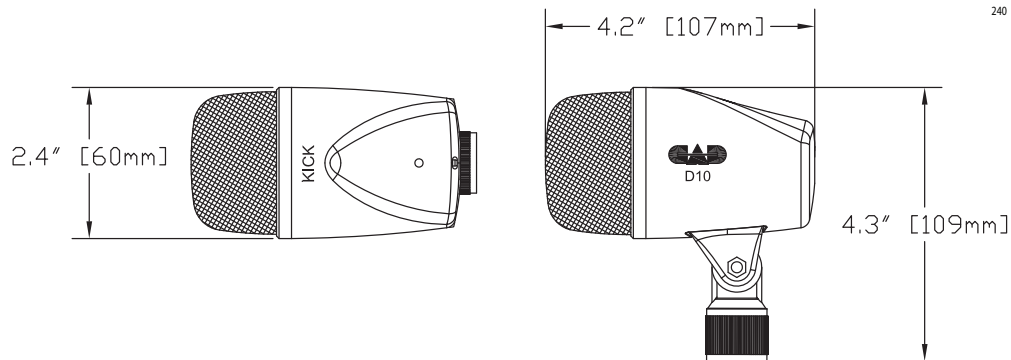


Polar Pattern



Dimensional Drawing

[not shown actual size]



CAD Audio
6573 Cochran Rd., Bldg. I Solon, OH 44139 U.S.A.
Sales: 800-762-9266 www.cadaudio.com



PERCUSSION

D19

Supercardioid Dynamic Percussion Microphone



Applications:

Snare drum
Guitar/bass cabinets
Electrical and
acoustical
instruments

Description

The D19 is a supercardioid, moving-coil dynamic microphone specifically designed for the capture and reinforcement of snare drum and other acoustic percussive instruments. The supercardioid polar pattern provides off-axis rejection crucial for on-stage clarity. Although designed with percussion in mind, excellent results are also obtained when used on most electrical and acoustical instruments.

The integral drum clip is designed to facilitate rapid, optimal placement.



CAD Professional Microphones
6573 Cochran Rd., Bldg. I Solon, OH 44139 U.S.A.
Sales: 800-762-9266 www.cadaudio.com

D19

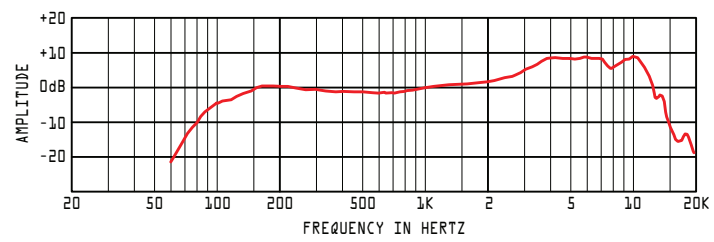
Supercardioid Dynamic Percussion Microphone

Specifications†

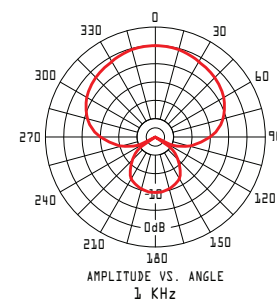
| | |
|----------------------------------|--------------------------------------|
| Operating Principle | Moving coil dynamic |
| Polar Pattern | Supercardioid |
| Frequency Response | 90Hz -14KHz, -6dB |
| Sensitivity | -56dBV (1.6mV) @ 1 Pa |
| Impedance | 300 ohms |
| Dimensions | (see drawing) |
| Weight | 6.5oz [0.19Kg] |
| RF Immunity | Meets or exceeds EN55103-2, E1-E4 |
| RoHS | Compliant |

†Specifications subject to change without notice.

Frequency Response

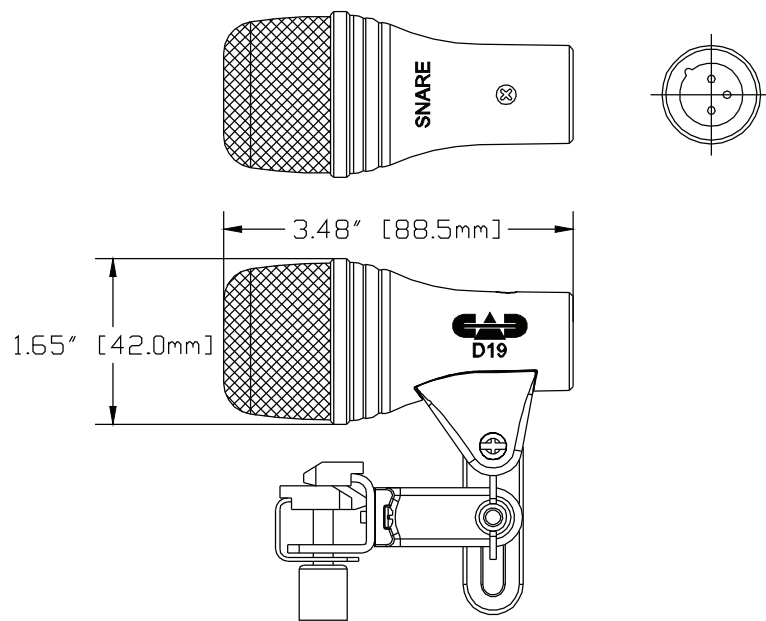


Polar Pattern



Dimensional Drawing

[not shown actual size]



CAD Audio
6573 Cochran Rd., Bldg. I Solon, OH 44139 U.S.A.
Sales: 800-762-9266 www.cadaudio.com



PERCUSSION

D29 Cardioid Dynamic Percussion Microphone



Applications:

Rack toms
Floor toms
Guitar/bass cabinets
Electrical and
acoustic instruments

Description

The D29 is a cardioid, moving-coil dynamic microphone specifically designed for the capture and reinforcement of tom-tom drums and other acoustic percussive instruments. The cardioid polar pattern provides off-axis rejection crucial for on-stage clarity.

Although designed with percussion in mind, excellent results are also obtained when used on most electrical and acoustical instruments.

The integrated drum clip is designed to facilitate rapid, optimal placement.



CAD Audio
6573 Cochran Rd., Bldg. I Solon, OH 44139 U.S.A.
Sales: 800-762-9266 www.cadaudio.com

D29

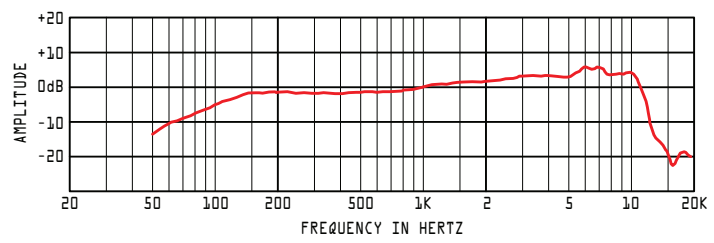
Cardioid Dynamic Percussion Microphone

Specifications†

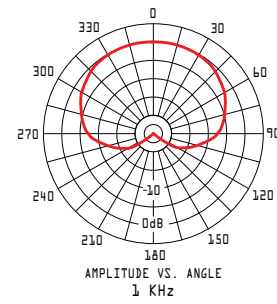
| | |
|----------------------------------|--------------------------------------|
| Operating Principle | Moving-coil dynamic |
| Polar Pattern | Cardioid |
| Frequency Response | 90Hz -13KHz |
| Sensitivity | -53dBV (2.2mV) @ 1 Pa |
| Impedance | 560 ohms |
| Dimensions | (see drawing) |
| Weight | 6.5oz [0.19Kg] |
| RF Immunity | Meets or exceeds EN55103-2, E1-E4 |
| RoHS | Compliant |

†Specifications subject to change without notice.

Frequency Response

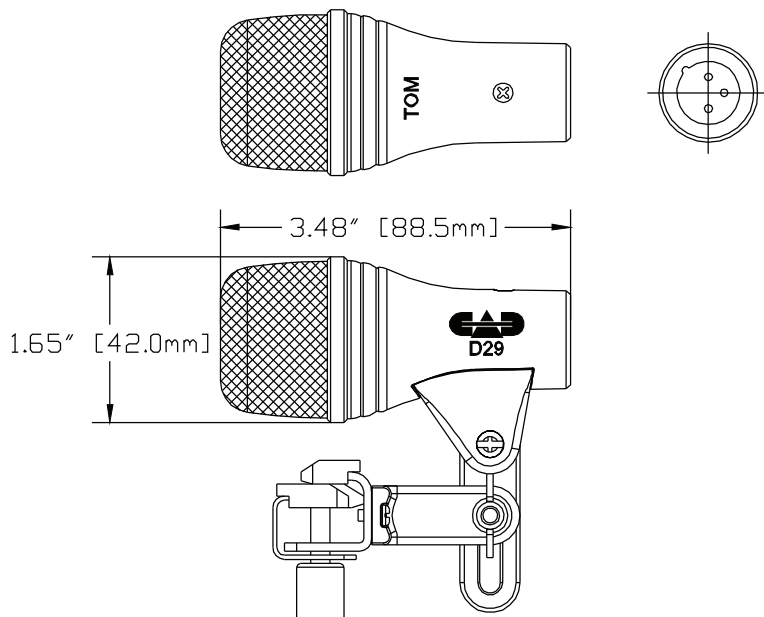


Polar Pattern



Dimensional Drawing

[not shown actual size]



CAD Audio
6573 Cochran Rd., Bldg. I Solon, OH 44139 U.S.A.
Sales: 800-762-9266 www.cadaudio.com

