

STUDIO

HA4 Four Channel Stereo Headphone Amplifier



Applications:

Recording
Live Monitoring

Description

The HA4 is a compact stereo headphone amplifier featuring four discrete channels with individual volume controls. Exceptional signal-to-noise ratio ensures optimum clarity and offers a transparent reproduction of your session. The HA4 is an essential tool for enhanced listening performance and a vital accessory for the recording musician.



CAD Audio
6573 Cochran Rd., Bldg.I Solon, OH 44139 U.S.A.
www.cadaudio.com

HA4

Four Channel Stereo Headphone Amplifier

Specifications†

Frequency Response20Hz -50KHz
S/N Ratio>110dBA
Maximum Input Level+16dBu
Output Impedance47 ohms
Output Power50mW
Weight11oz [0.31Kg]
RoHSCompliant

†Specifications subject to change without notice.

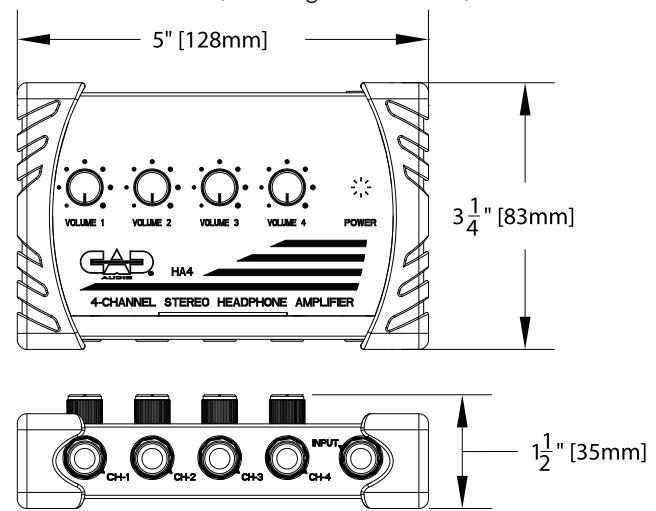
Back View

**Power Input (12v DC 200mA)
(Power Adaptor Included)**



Dimensional Drawing

(drawing not to scale)



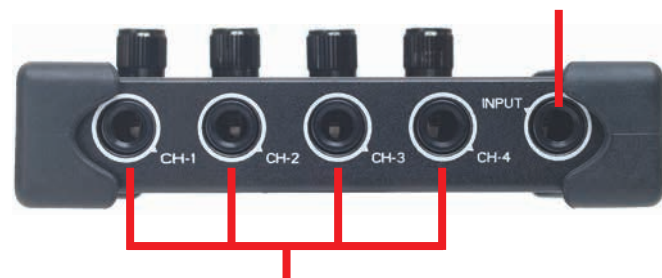
Top View

Individual Volume Control



Front View

1/4" (6.3mm) Stereo Input



1/4" (6.3mm) Stereo Output



CAD Audio
6573 Cochran Rd., Bldg. I Solon, OH 44139 U.S.A.
www.cadaudio.com

