

STUDIO

# GXL2200BP

**Large Diaphragm Cardioid Condenser  
Microphone Black Pearl Chrome Finish**

**Applications:**

Studio Recording  
Live Sound



**Description**

Offering exceptional versatility, the GXL2200BP is a large diaphragm condenser microphone finished in lustrous black pearl chrome. The GXL2200BP's capsule features a sophisticated 1" gold-vapor deposited diaphragm. Exceptional sensitivity and low distortion make it an outstanding performer in a variety of live and recording applications. Shock mount, vinyl pouch and polishing cloth included.



CAD Audio  
6573 Cochran Rd., Bldg.I Solon, OH 44139 U.S.A.  
[www.cadaudio.com](http://www.cadaudio.com)

# GXL2200BP

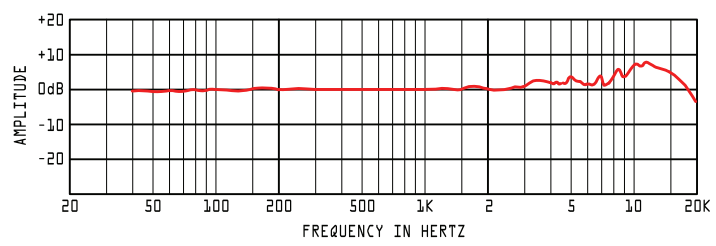
## Large Diaphragm Cardioid Condenser Microphone Black Pearl Chrome Finish

### Specifications†

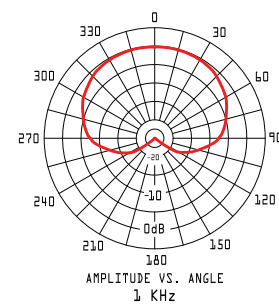
**Operating Principle** ..... Externally-Biased Condenser  
**Polar Pattern** ..... Cardioid  
**Frequency Response** ..... 30Hz -20KHz  
**Sensitivity** ..... -36dBV (16mV) @ 1 Pa  
**Impedance** ..... 75 ohms  
**Max SPL** ..... 130dB  
**Self Noise** ..... 20dBA  
**Dimensions** ..... (see drawing)  
**High-Pass** ..... 100Hz, 6dB/oct  
**Power Requirements** ..... P48, 3mA  
**Weight** ..... 14oz [0.40Kg]  
**RoHS** ..... Compliant

†Specifications subject to change without notice.

### Frequency Response

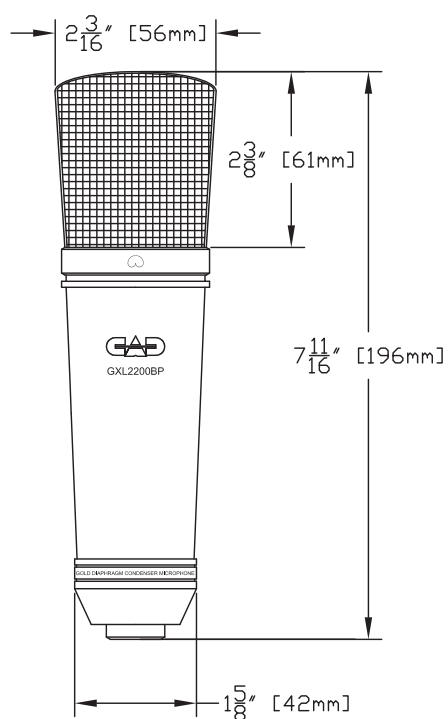


### Polar Pattern



### Dimensional Drawing

[not shown actual size]



**CAD Audio**  
 6573 Cochran Rd., Bldg. I Solon, OH 44139 U.S.A.  
[www.cadaudio.com](http://www.cadaudio.com)

