

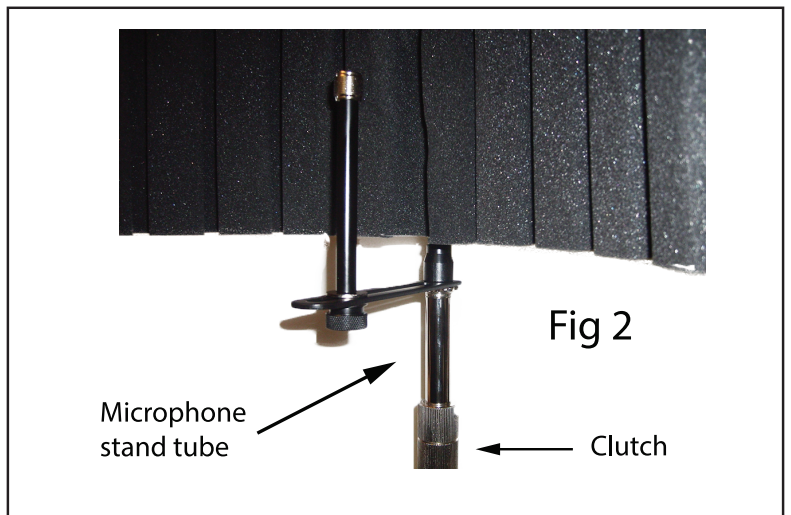
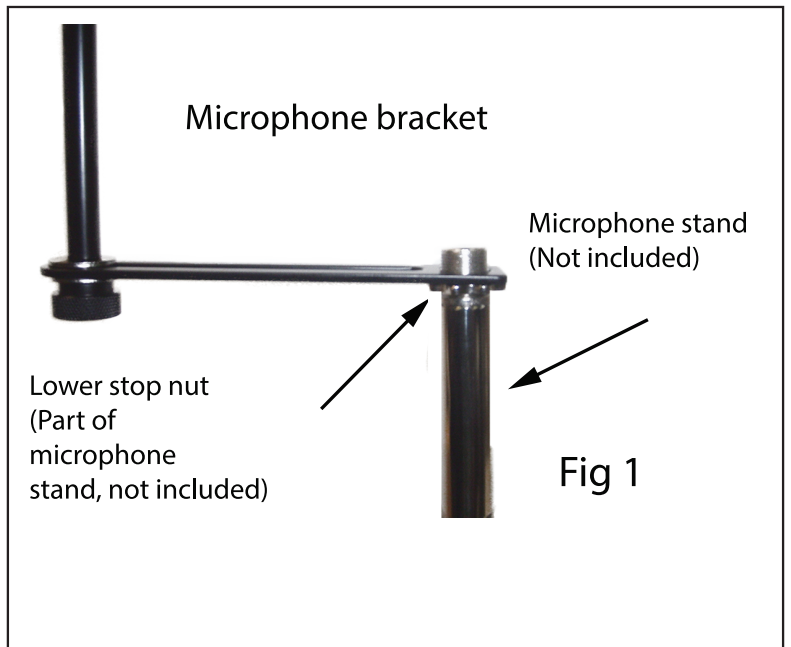
Installation:

Note, during the installation you will need to spin the microphone stand tube. Keep the stand tube loose until finished. Make sure that the lower stop nut is on the microphone stand.

1) Place the microphone bracket on the microphone stand as shown in (Fig. 1)

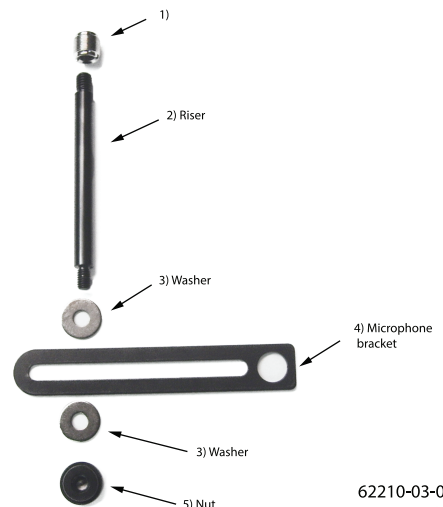
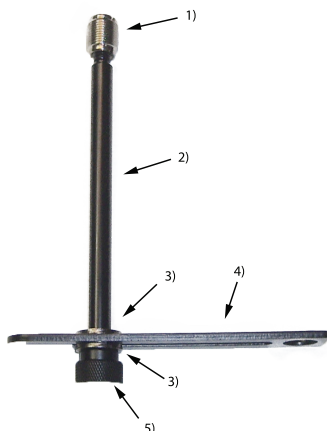
2) Place the shield on the stand while holding the microphone stand tube (Fig. 2)
Hold the shield stationary while you spin the microphone stand tube into it.
(Looking down from the top, spin the tube CCW)

3) Tighten the microphone stand tube clutch.



MICROPHONE BRACKET PARTS AND ASSEMBLY

1) Thread adapter
Adapt 5/8" (USA Standard) Microphone
to a 3/8" (Euro Standard)



62210-03-00
08-20-14 CWH