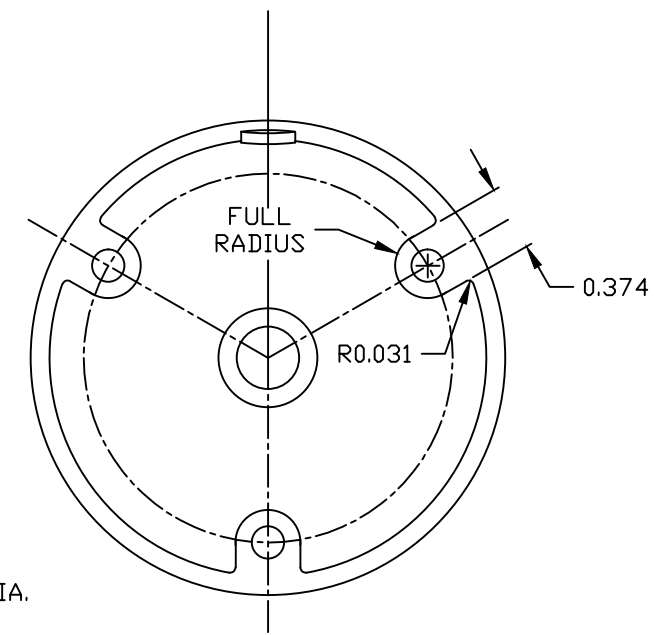
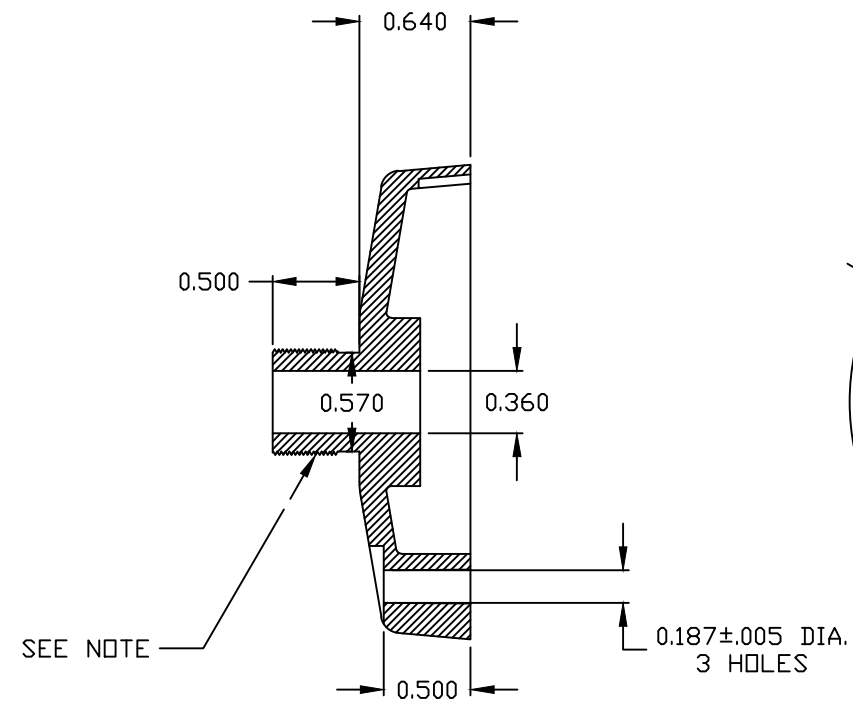
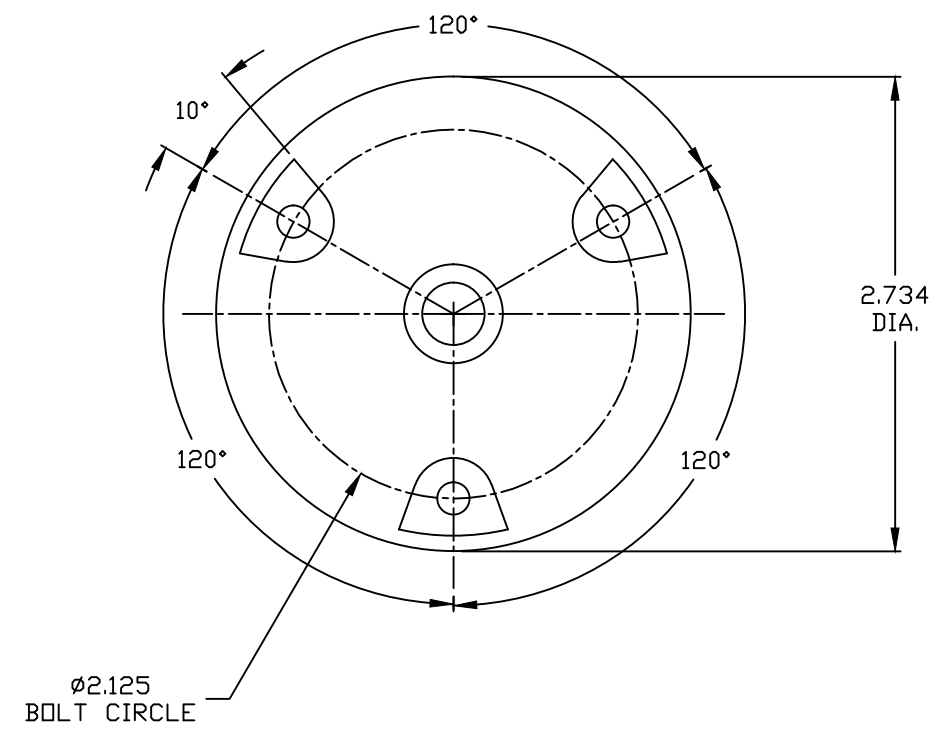


AMC105 and 119 Flange



NOTES

1. Thread = 5/8-27