



Industrial Audio Products

900 / 900W

ELECTRET CONDENSER CARDIOID MINI-GOOSENECK CHOIR MICROPHONE

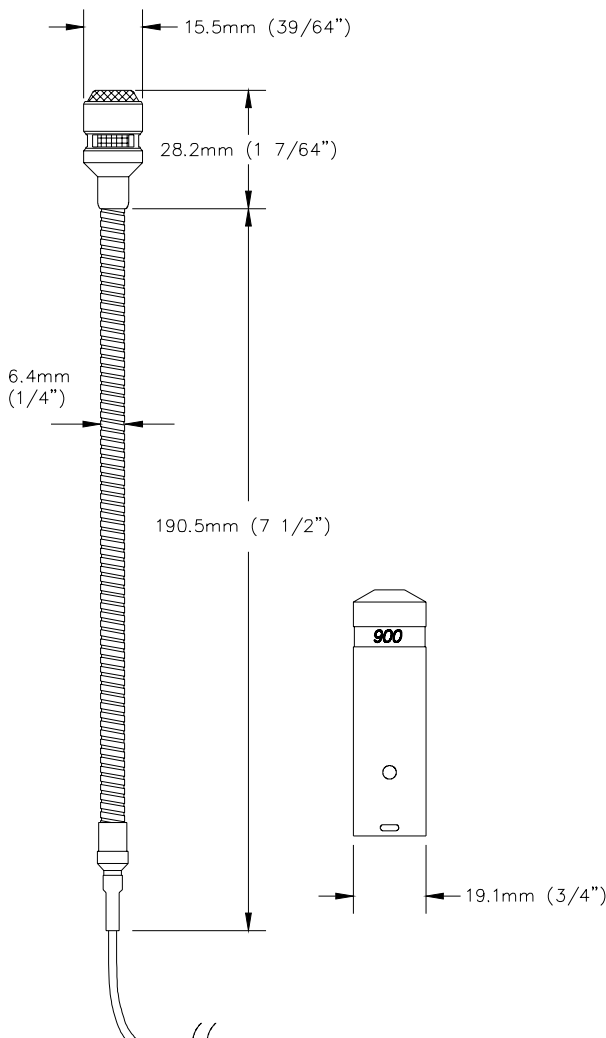
Description

The **ASTATIC 900** is a superior low noise, electret condenser cardioid choir microphones.

The **900** microphone has a wide, flat frequency response which provides unsurpassed, natural, transparent sound quality. It's cardioid pickup pattern minimizes annoying feedback when used close to sound reinforcement speakers and monitors, while reducing the pickup of unwanted off axis sounds.

The **900**'s electronics are located externally in a housing which also contains the professional three pin male XLR connector. The **900** is attached to this with a 30 foot cable terminated with a mini three pin XLR. The **900** is finished in durable black urethane paint, the **900W** is finished in a durable white urethane paint with a flexible PVC covering over gooseneck.

The **900** features a .022" diameter hole placed directly behind the microphone head that facilitates the use of monofilament line to inconspicuously fix the position of one or a series of microphones.



ASTATIC Quality

All **900** microphones are audio tested and inspected prior to shipment. Our absolute commitment to quality insures that **ASTATIC** microphones remain the **Best Value** in today's competitive industry.

Operation and Maintenance

The **ASTATIC 900** is one of the finest values in gooseneck microphones available. If the mike housing becomes soiled by dirt or residue it may be cleaned using a cloth dampened with isopropyl alcohol.

SPECIFICATIONS FOR 900 / 900W



Specifications

Generating Element:

Electret Condenser (Phantom Powered)

Polar Pattern:

Unidirectional (Cardioid)

Frequency Response:

40 Hz - 20 kHz

Output Level:

Open Circuit Voltage:

-50 dB (0 dB = 1 volt per microbar)

Impedance:

Low (500 ohms nominal)

Dynamic Range:

100 dB

Equivalent Noise Level:

Less than 30 dB, A weighted

Maximum SPL:

130 dB (1% THD, open circuit)

Powering:

Supply Voltage:

9 - 52 Vdc, positive pins 2 & 3 reverse polarity protected

Current Required:

Less than 2.0 mA over operating voltage range

Phasing

Positive Pressure on Diaphragm generates a positive voltage on pin 2 relative to pin 3

Finish:

900 - Durable black urethane paint

900W - Durable white urethane paint with flexible PVC covering gooseneck

Cable:

900 - Miniature black cable with miniature 3 pin connector

900W - Miniature white cable with miniature 3 pin connector

Dimensions:

(See drawing on other side)

NET Weight:

205 grams (7.2 oz.) including external mic electronics

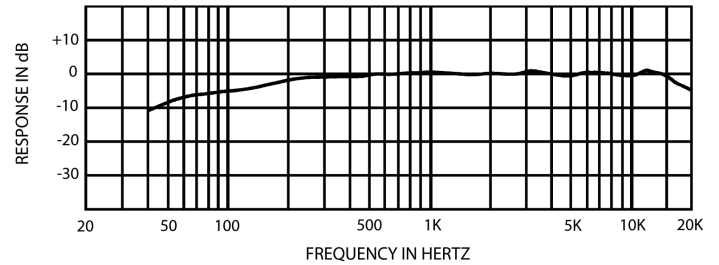
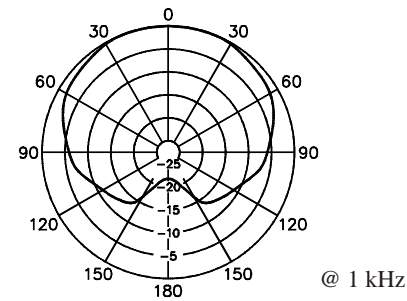
Architects' and Engineers' Specification

The microphone shall be an **ASTATIC 900**. The microphone shall be a miniature gooseneck electret choir microphone. The frequency response will be 40-20 kHz and the mic shall have a cardioid polar pattern.

The output level of the **900** shall be -50 dB (0 dB = 1 volt per microbar). The included module will have a professional 3 pin XLR type connector which also contains the microphones' electronic circuitry. The microphone will operate from standard phantom power at any voltage from 9 to 52 Volts DC with a current consumption of less than 2 mA.

The dimensions of the microphone shall be 15.5 mm (39/64") in diameter for the head, 6.4 mm (1/4") in diameter for the gooseneck. The overall length of the mic will be 219 mm (8 5/8"). The weight shall be 93 grams (3.3 oz.). The length of the supplied cable shall be 9 m (30'). The **900** will have a durable black urethane painted finish. The **900W** will have a durable white urethane finish except for the gooseneck which shall be covered with white vinyl shrink tubing. A foam windscreen will be supplied as an accessory.

The **ASTATIC Model 900 or 900W** is specified.



User Techniques and Applications

The **900** choir microphone is very light weight and can be hung in variety of ways such as a through a small opening in a suspended ceiling, suspended by a small hook in an overhead beam, or any means that is convenient. Once the microphone is suspended, bend the gooseneck so that the microphone points towards the desired sound source.

To prevent the microphone from turning away from the sound source over time, the microphone can be secured with monofilament fishing line. The microphone head has a small hole in it for this purpose. Secure the ends of the line to opposite walls of the room and through the hole in the microphone as shown in the photo on the front of this spec sheet. Use the smallest available line and it will be virtually invisible in the room.

TWO-YEAR LIMITED WARRANTY

Omnitronics, LLC. ("ASTATIC") hereby warrants that this product will be free of defects in material and workmanship for a period of two years from the date of purchase. In the unlikely event a defect occurs ASTATIC will, at its option, either repair or replace with a new unit of equal or greater value. You should retain proof of purchase to validate the purchase date and return it with any warranty claim. Return warranty claims carefully packed, insured and prepaid to the Service Department at the address listed below.

This warranty excludes exterior finish or appearance, damage from abuse, misuse of the product, use contrary to ASTATIC's instructions or unauthorized repair. All implied warranties or merchantability or fitness for a particular purpose are hereby disclaimed and ASTATIC hereby disclaims liability for incidental, special or consequential damages resulting from the use or unavailability of this product.

This warranty gives you specific legal rights and you may also have other rights which vary from state to state. Some states do not allow the exclusion or limitation of incidental or consequential damages or limitations on how long an implied warranty lasts, so the above exclusions and limitations may not apply to you.

Note: No other warranty, written or oral is authorized by Omnitronics, LLC.