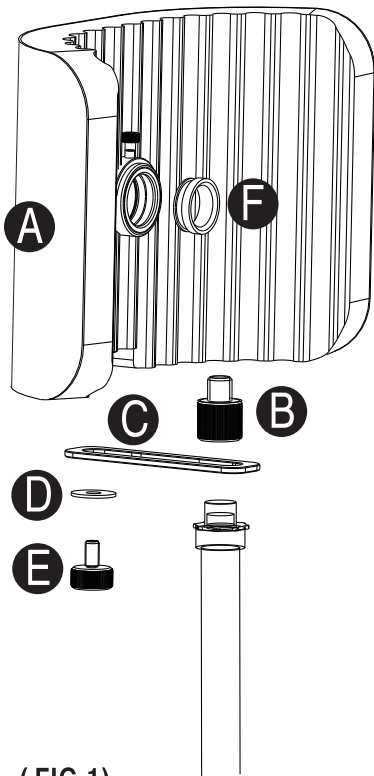


Parts list: (Fig 1)

- A. Shield
- B. Stand Adapter
- C. Sliding Beam
- D. Washer
- E. Locking Screw
- F. Adapter For Small Diameter Microphones



(FIG.1)

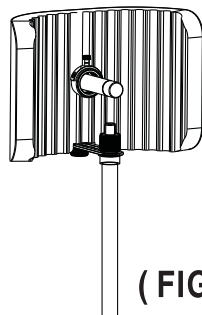
Assembly:

Attach Shield (A) to Sliding Beam (C) using Locking Screw (E) and Washer (D).
Using Stand Adapter (B), mount the shield to your microphone stand.

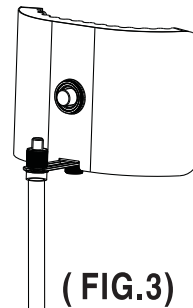
Note the mounting options:

With the microphone stand in front as in (FIG.2)
With the microphone stand behind as in (FIG.3)

Insert the microphone through the hole and tighten the thumb screw just enough to secure it in place.
For smaller diameter microphones, insert Adapter (F) into the hole first.



(FIG.2)



(FIG.3)

Dimensions

